

SPECIFICATION

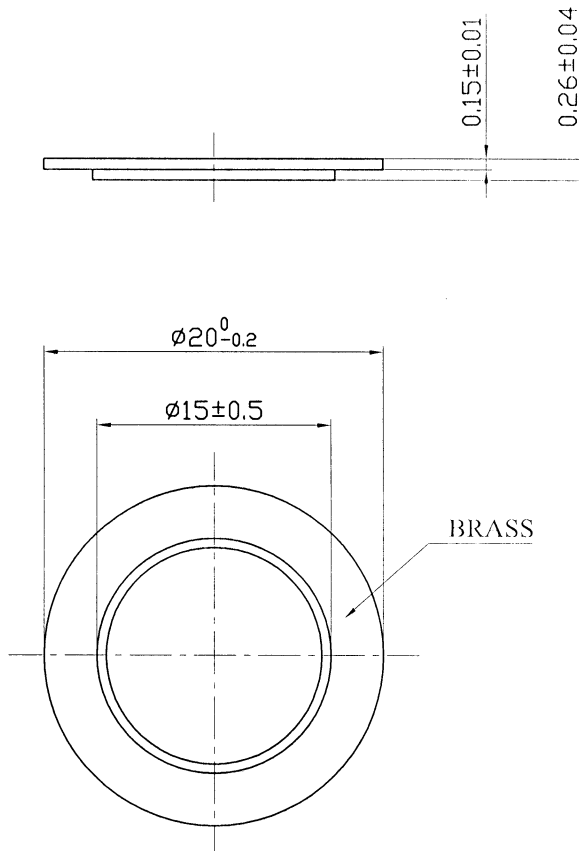
1. SCOPE

This specification is applied to the piezo-element.

2. SPECIFICATION

(at 25°C)

- | | | |
|---------------------------|---|-------------------------|
| 2.1 Resonant Frequency | : | 4.0 ± 0.5 KHz |
| 2.2 Resonant Resistace | : | 300 Ω max |
| 2.3 Capacitance | : | 30000 pF ± 30% at 100Hz |
| 2.4 Input Voltage | : | 30 Vp-p max |
| 2.5 Operating Temperature | : | -20~+85°C |
| 2.6 Storage Temperature | : | -20~+95°C |
| 3. DIMENSION | : | as per figure |



TOLERANCES UNLESS NOTED OTHERWISE .X ± .XX ± .XXX ± 90° FORMED +2° ANGLES -1°	DRAWN		KEPO MODEL NO.	CUSTOMER													
	DESIGN		FT-20T-4.0A1耐高溫	CUSTOMER NO.													
	CHECKED																
	APPROVED		DWG NO.	<table style="width: 100%; border-collapse: collapse;"> <tr> <td style="width: 10%;">VER</td> <td style="width: 10%;">1.0</td> <td style="width: 10%;">SCALE</td> <td colspan="2"></td> </tr> <tr> <td>UNIT</td> <td>mm</td> <td>SHEET</td> <td colspan="2"></td> </tr> </table>				VER	1.0	SCALE			UNIT	mm	SHEET		
	VER	1.0	SCALE														
	UNIT	mm	SHEET														
DATE	08.06.20	KP3.841.831.05	KEPO CO., LTD. TEL: (+86)574-88370330 FAX: (+86)574-88370329														
CONTRACT NO.																	
FIRST ANGLE PROJECTION 	AGENCY APPROVAL																
1	2	3	4														